



MISCELLANEOUS

1. Commercial Microwaves, Steamer, Combination Ovens
2. Cup, Lid, Straw, Napkin Dispensers and Condiment Organizers
3. Bulk Condiment Dispensers
4. Cleaning Products
5. Tools

Amana® Commercial Microwaves, Steamers and Combination Ovens

Ovens are tested to higher standards for a commercial rating, which is required by most commercial insurance policies and health inspectors. Interlock safety switch is tested to 4 times the standard of residential ovens. Commercial ovens are more powerful for faster heating and better quality results than residential ovens, and are engineered for a simple, “self-service” operation.

Amana offers a full line of heavy-duty, high performing commercial microwaves to fit your volume and work flow needs. Some microwave models include special features such as...

- Multiple quantity pad calculates the proper cooking times for multiple portions
- Removable air filter with clean filter reminder and easy front access protects components from grease laden air
- Up to 100 programmable menu items simplifies cooking and ensures consistent results
- Automatic voltage sensor adjusts to the power supply for easy installation
- Unique method of energy distribution (two magnetrons, each with a rotating antenna) provides superior even heating throughout the microwave cavity
- Self diagnosis message “call service alert” will appear on the display when service is needed
- 4-stage cooking allows you to defrost, cook and hold any menu item with a push of a button
- Braille touch pads
- Stackable to save valuable counter space

The Amana Steamer Express® steams foods without the extra costs, setup and complications of equipment requiring plumbing or de-liming. This innovative steamer rapidly steams foods to seal in more flavor, color and moisture than traditional steam cooking.

Combination ovens combine cooking technologies to allow chefs to perform almost any kind of cooking, baking, toasting or roasting in a shorter amount of time while obtaining a higher quality of food than conventional equipment can typically provide.



Commercial microwave ovens



Cup, lid, straw, condiment and silverware dispensers and organizers



Condiment dispensers



Condi-Kart with two Mini Tower stations



Amana® Commercial Microwaves



Model	Std. Features	Typical Uses	Watts	Electrical	Dimensions	Other
LD10D2	- 6-minute dial timer - 1.0 cu. ft. interior - Ceramic shelf	Break rooms, c-stores, wait stations	1000 W	120 V, 15 Amp, 60 Hz, NEMA 5-15	H: 12-3/8" W: 20-7/8" D: 15-1/2"	Low volume, medium speed
LD10MP	- Programmable touch control - 3 cooking stages - Braille touch pads - Ceramic shelf - X2 quantity pad	Break rooms, c-stores, wait stations	1000 W	120 V, 15 Amp, 60 Hz, NEMA 5-15	H: 12-3/8" W: 20-7/8" D: 15-1/2"	Low volume, medium speed
ALD10D	- 10-minute lighted dial timer - Stainless steel interior/exterior	Break rooms, c-stores, wait stations, front-of-house	1000 W	120 V, 15 Amp, 60 Hz, NEMA 5-15	H: 13-1/2" W: 22" D: 19"	Medium volume, medium speed
ALD10T	- 20 program memory - Programmable touch control - Stainless steel interior/exterior	Break rooms, c-stores, wait stations	1000 W	120 V, 15 Amp, 60 Hz, NEMA 5-15	H: 13-1/2" W: 22" D: 19"	Medium volume, medium speed
RCS10DA	- 6-minute dial timer - 1.2 cu. foot interior	Break rooms, vending areas, c-stores	1000 W	120 V, 15 Amp, 60 Hz, NEMA 5-15	H: 14-1/4" W: 21-3/4" D: 20-1/4"	Medium volume, medium speed
RCS10MPA	- 5 power levels - Touch control programming - Air filter with reminder - 1.2 cu. foot interior - Time entry option	Ideal for wait stations, coffee shops, c-stores and vending areas	1000 W	120 V, 15 Amp, 60 Hz, NEMA 5-15	H: 14-1/4" W: 21-3/4" D: 20-1/4"	Medium volume, medium speed
RCS10MPSA	- Stainless steel interior/exterior - Touch control - X2 quantity pad - 100 program memory	Ideal for wait stations, coffee shops, c-stores and vending areas	1000 W	120 V, 15 Amp, 60 Hz, NEMA 5-15	H: 14-1/4" W: 21-3/4" D: 20-1/4"	Heavy volume, high speed
RFS12MPSA	- Stainless steel interior/exterior - Touch control - X2 quantity pad - 100 program memory - Removable air filter	Ideal for wait stations, coffee shops, c-stores and vending areas	1200 W	120 V, 15 Amp, 60 Hz, NEMA 5-15	H: 14-1/4" W: 21-3/4" D: 20-1/4"	Heavy volume, high speed
RFS18MPS	- Stainless steel interior/exterior - Touch control - X2 quantity pad - 100 program memory - Automatic voltage sensor	Ideal for medium to high-volume kitchens, sandwich stations, snack bars, dessert stations	1800 W	208-240 V, 20 Amp, 60 Hz, NEMA 6-20	H: 14-1/4" W: 21-3/4" D: 20-1/4"	Heavy volume, high speed
HDC12A	- Compact, stackable - 11 power levels - 100 program memory - X2 multiple quantity pad - Stainless steel interior/exterior	Ideal for single portion throughput	1200 W	120 V, 15 Amp, 60 Hz, NEMA 5-15	H: 13-1/2" W: 16-3/4" D: 22"	Heavy volume, high speed



Amana® Commercial Microwaves and Steamer



HDC18



HDC18SD



HDC21



RC17S



RC22S



RC30S

Model	Std. Features	Typical Uses	Watts	Electrical	Dimensions	Other
HDC18	<ul style="list-style-type: none"> - Compact, stackable - 11 power levels - 100 program memory - X2 multiple quantity pad - Stainless interior/exterior - Automatic voltage sensor 	Ideal for fast, single portion throughput in busy sites	1800 W	208-240 V, 20 Amp, 60 Hz, NEMA 6-20	H: 13-1/2" W: 16-3/4" D: 22-3/4"	High volume, high speed
HDC18SD	<ul style="list-style-type: none"> - Compact, stackable - 11 power levels - 100 program memory - X2 multiple quantity pad - Stainless interior/exterior - Solid door - Automatic voltage sensor 	Ideal for fast, single portion throughput in busy sites	1800 W	208-240 V, 20 Amp, 60 Hz, NEMA 6-20	H: 13-1/2" W: 16-3/4" D: 22-3/4"	High volume, high speed
HDC21	<ul style="list-style-type: none"> - Compact, stackable - 11 power levels - 100 program memory - X2 multiple quantity pad - Stainless interior/exterior - Automatic voltage sensor 	Ideal for fast, single portion throughput in busy sites	2100 W	208-240 V, 20 Amp, 60 Hz, NEMA 6-20	H: 13-1/2" W: 16-3/4" D: 22-3/4"	High volume, high speed
RC17S	<ul style="list-style-type: none"> - X8 multiple quantity pad - Stainless interior/exterior - Automatic voltage sensor - 100 program memory - Double stirrer microwave distribution system - 1.0 cu. foot interior - Self Diagnostic 	Ideal for bulk and single portions, FAST boost-heating, rethermalizing & steaming	1700 W	208-240 V, 20 Amp, 60 Hz, NEMA 6-20	H: 18-1/4" W: 19-1/4" D: 26-1/4"	High volume, high speed
RC22S	<ul style="list-style-type: none"> - X8 multiple quantity pad - Stainless interior/exterior - Automatic voltage sensor - 100 program memory - Double stirrer microwave distribution system - 1.0 cu. foot interior - Self Diagnostic 	Ideal for bulk and single portions, FAST boost-heating, rethermalizing & steaming	2200 W	208-240 V, 20 Amp, 60 Hz, NEMA 6-20	H: 18-1/4" W: 19-1/4" D: 26-1/4"	High volume, high speed
RC30S	<ul style="list-style-type: none"> - X8 multiple quantity pad - Stainless interior/exterior - Automatic voltage sensor - 100 program memory - Double stirrer microwave distribution system - 1.0 cu. foot interior - Self Diagnostic 	Ideal for bulk and single portions, FAST boost-heating, rethermalizing & steaming	3000 W	208-240 V, 20 Amp, 60 Hz, NEMA 6-20	H: 18-1/4" W: 19-1/4" D: 26-1/4"	Steamer Express



Amana® Commercial Combination Ovens



ACE14



AXP20

Model	Std. Features	Typical Uses	Watts	Electrical	Dimensions	Other
ACE14	<ul style="list-style-type: none"> - Combination 475° F convection w/ 1400 Watts microwave cooking - 4 stage cooking - Stackable - Store up to 100 menu items - Stainless exterior/Teflon-coated stainless steel interior - 1.2 cu. foot capacity 	<ul style="list-style-type: none"> - Combination cooking for FAST baking, browning and crisping - Excellent for appetizers, pizzas, sandwiches and desserts 	Convection: 2700 W Microwave: 1400 W	208-240 V, 20 Amp, 60 Hz, NEMA 6-20	H: 18-1/4" W: 19-1/4" D: 26-1/4"	Convection Express™
AXP20	<ul style="list-style-type: none"> - 15 x faster than conventional oven - Certified for ventless installation - Automatic voltage sensor - Store up to 360 menu items - Stainless interior/exterior 	<ul style="list-style-type: none"> - Combination cooking for FAST toasting, browning, baking and crisping - Excellent for toasted sandwiches, meats, baked goods and pizza 	Convection: 2000 W Infrared Radiant: 3000 W Microwave: 2200 W	208-240 V, 30 Amp, 60Hz, NEMA 6-30	H: 20-1/4" W: 25" D: 25-5/8"	Amana Express™

Combination Oven Accessories

Part #	Accessory	Description
DR10	Drip Tray	Teflon tray helps reduce grease buildup and makes cleanup easier. (Convection Express™ only)
OV10	Oven Liner	Place on oven floor. Aids in cleaning. 12 3/4" x 14 1/2" x 1/2" (Convection Express™ only)
PA10	Oven Paddle	Aids in removal of sandwiches and pizza. (Convection Express™ and AXP only)
PS10	Pizza Stone & Rack	Aids in browning and crisping. Perfect for baking pizza, subs and garlic bread. Comes with rack. (Convection Express™ only)
ST10X	Pizza Stone	Aids in browning and crisping. Sits right upon the AXP oven rack. 14-3/8" x 14-3/8" (AXP only)
RA10	ACE Rack	Optimizes the space inside your Convection Express™ oven. Sold with extra rack guides. (Convection Express™ only)
SB10	Sm. Non-Stick Basket	Aids in browning and crisping of food. 6" x 12" x 3/4" (2 per box) (Convection Express™ and AXP only)
TB10	Non-Stick Basket	Aids in browning and crisping of food. 10" x 12" x 1" (2 per box) (Convection Express™ and AXP only)
LG10	Leg Kit	4" Leg Kit. (AXP only)
CA24	24" H Cart	Cart with stainless steel top, aluminum frame and castors 24" H x 26" W x 26" D
CA30	30" H Cart	Cart with stainless steel top, aluminum frame and castors 30" H x 26" W x 26" D



In-Counter Cup Dispensers

All dispensers are designed to dispense paper, plastic or foam cups, only one cup at a time. Both "F" (foam cups) and "P" (paper cups) compression springs are included. Dispensers can be mounted in a vertical, horizontal or angled position.

STL Series in-counter dispensers have a precision adjustment mechanism that allows simple and fast adjustment for cup sizes from 8-44 oz. Quality plastic construction provides an economical dispensing solution. SLR Series in-counter dispensers have an interchangeable baffle system to accommodate a full range of cup sizes from 8-44 oz. SLR dispensers are also made with quality plastic.

ADJ Series are stainless steel in-counter dispensers with an exclusive adjustment mechanism to accommodate cup sizes from 4-64 oz. Stainless ring bezels are standard. BFL Series in-counter dispensers feature DISPENSE-RITE's interchangeable baffle system to accommodate a full range of cup sizes from 8-64 oz. Stainless ring bezels are standard.

Lid dispensers are for use with 8-44 oz. flat slotted cold drink cup lids. The mounting collar fully supports the dispenser in a horizontal position.
***Note:** Tightly nested or deeply extruded lids may not be compatible. Not intended for coutoured hot cup lids or dome lids. To verify lid compatibility please furnish a full sleeve of lids prior to ordering.



STL Series



SLR Series



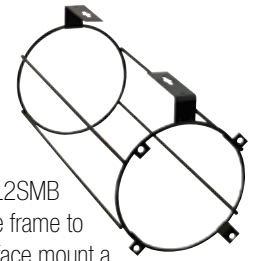
ADJ Series



BFL Series



Lid Series



STL2SMB wire frame to surface mount a STL2 or SLR2 dispenser



UCMB2 faceplate bracket to mount an ADJ2 dispenser to any flat surface.

Part #	Description	Cup/Lid Rim"	Under Counter"	Hole Cut-Out"	Ring Bezel"	Optional Ring Bezel
STL2	Precision adjustable, black plastic	3-1/8 to 4-1/2	22" long	5-1/4	7-1/8	"Silver Satin" stainless
STL2S	Precision adjustable, black plastic	3-1/8 to 4-1/2	17" long	5-1/4	7-1/8	"Silver Satin" stainless
STL2L	Precision adjustable, black plastic	3-1/8 to 4-1/2	28" long	5-1/4	7-1/8	"Silver Satin" stainless
SLR2	Self-adjusting, 4 silicone baffles, blk plastic	3 to 4-1/2	22" long	5-1/4	7-1/8	"Silver Satin" stainless
SLR2S	Self-adjusting, 4 silicone baffles, blk plastic	3 to 4-1/2	17" long	5-1/4	7-1/8	"Silver Satin" stainless
SLR2L	Self-adjusting, 4 silicone baffles, blk plastic	3 to 4-1/2	28" long	5-1/4	7-1/8	"Silver Satin" stainless
ADJ1	Precision adjustable, stainless steel	2-1/2 to 3-1/2	22" long	4	5-3/8	"Black Ridge" black matte
ADJ2	Precision adjustable, stainless steel	3 to 4-5/8	22" long	5-1/4	6-7/8	Black matte, black gloss, red gloss
ADJ2S	Precision adjustable, stainless steel	3 to 4-5/8	19" long	5-1/4	6-7/8	Black matte, black gloss, red gloss
ADJ3	Precision adjustable, stainless steel	4-1/2 to 5-1/4	22" long	5-3/4	7-3/8	"Black Ridge" black matte
BFL2	Self-adjusting, 4 silicone baffles, stainless steel	3 to 4-1/2	22" long	5-1/4	6-7/8	"Black Ridge" matte or red gloss
BFL2S	Self-adjusting, 4 silicone baffles, stainless steel	3 to 4-1/2	19" long	5-1/4	6-7/8	"Black Ridge" matte or red gloss
BFL3	Self-adjusting, 4 silicone baffles, stainless steel	4-1/2 to 5-1/4	22" long	5-3/4	7-3/8	"Black Ridge" matte or red gloss
LID1SS*	Stainless 8-24 oz. lid disp., stainless bezel	3 to 3-7/8	22" long	5-1/4	6-7/8	N/A
LID1BB*	Stainless 8-24 oz. lid disp., black matte bezel	3 to 3-7/8	22" long	5-1/4	6-7/8	N/A
LID2SS*	Stainless 32-44 oz. lid disp., stainless bezel	3-3/4 to 4-5/8	22" long	5-3/4	7-3/8	N/A
LID2BB*	Stainless 32-44 oz. lid disp., black matte bezel	3-3/4 to 4-5/8	22" long	5-3/4	7-3/8	N/A
STL2SMB	Wire bracket for undercounter or surface mounting STL2 or SLR2 cup dispensers, 7-1/8" x 6" x 15-3/4"	N/A	N/A	N/A	N/A	N/A
UCMB2	Stainless steel undercounter faceplate bracket to mount ADJ2 to any flat surface, 1-5/8" maximum counter lip, 9-1/8 x 7-3/4 x 4-3/4"	N/A	N/A	N/A	N/A	N/A



MISCELLANEOUS



Plastic One-Size-Fits-All Cup Dispensing Cabinets



Part #	Description	# and Type Dispensers	Cup Location	Cup Sizes"	Cup Rim Range"	Size" H x W x D
STLS1BT	Cups only, 1 high	1, STL2	Middle	8 to 44 oz.	3-1/8 to 4-1/2	8-1/4 x 8 x 23
STLS2BT	Cups only, 2 high	2, STL2	Middle	8 to 44 oz.	3-1/8 to 4-1/2	16-1/4 x 8 x 23
STLS3BT	Cups only, 3 high	3, STL2	Middle	8 to 44 oz.	3-1/8 to 4-1/2	24-1/4 x 8 x 23
STLS4BT	Cups only, 4 high	4, STL2	Middle	8 to 44 oz.	3-1/8 to 4-1/2	32-1/4 x 8 x 23
STLSL2X1BT	Cups, lids and misc, 2 wide	2, STL2	Right & left	8 to 44 oz.	3-1/8 to 4-1/2	14-1/4 x 16-1/2 x 24
STLSL2BT	Cups, lids and misc, 2 high	2, STL2	Middle	8 to 44 oz.	3-1/8 to 4-1/2	22-1/4 x 8-1/2 x 24
STLSL3BT	Cups, lids and misc, 3 high	3, STL2	Middle	8 to 44 oz.	3-1/8 to 4-1/2	29-1/4 x 8-1/2 x 24
STLSL2X2BT	Cups, lids and misc, 4 high	4, STL2	Right & left	8 to 44 oz.	3-1/8 to 4-1/2	22-1/4 x 16-1/2 x 24
STLC4RBT	Cups, lids, straws, 4 high	4, STL2	Right	8 to 44 oz.	3-1/8 to 4-1/2	32-1/4 x 13 x 23
STLC4LBT	Cups, lids, straws, 4 high	4, STL2	Left	8 to 44 oz.	3-1/8 to 4-1/2	32-1/4 x 13 x 23
STLC3RBT	Cups, lids, straws, 3 high	3, STL2	Right	8 to 44 oz.	3-1/8 to 4-1/2	24-1/4 x 13 x 23
STLC4LBT	Cups, lids, straws, 3 high	3, STL2	Left	8 to 44 oz.	3-1/8 to 4-1/2	24-1/4 x 13 x 23
STLDL3BT	Cups, dome lids, straws, 3 high	3, STL2	Left	8 to 44 oz.	3-1/8 to 4-1/2	24-1/4 x 13 x 23
SLRS1BT	Cups only, 1 high	1, SLR2	Middle	8 to 44 oz.	3 to 4-1/2	8-1/4 x 8 x 23
SLRS2BT	Cups only, 2 high	2, SLR2	Middle	8 to 44 oz.	3 to 4-1/2	16-1/4 x 8 x 23
SLRS3BT	Cups only, 3 high	3, SLR2	Middle	8 to 44 oz.	3 to 4-1/2	24-1/4 x 8 x 23
SLRS4BT	Cups only, 4 high	4, SLR2	Middle	8 to 44 oz.	3 to 4-1/2	32-1/4 x 8 x 23
SLRSL2X1BT	Cups, lids and misc, 2 wide	2, SLR2	Right & left	8 to 44 oz.	3 to 4-1/2	14-1/4 x 16-1/2 x 24
SLRSL2BT	Cups, lids and misc, 2 high	2, SLR2	Middle	8 to 44 oz.	3 to 4-1/2	22-1/4 x 8-1/2 x 24
SLRSL3BT	Cups, lids and misc, 3 high	3, SLR2	Middle	8 to 44 oz.	3 to 4-1/2	29-1/4 x 8-1/2 x 24
SLRSL2X2BT	Cups, lids and misc, 2w x 2h	4, SLR2	Right & left	8 to 44 oz.	3 to 4-1/2	22-1/4 x 16-1/2 x 24
SLRC4RBT	Cups, lids, straws, 4 high	4, SLR2	Right	8 to 44 oz.	3 to 4-1/2	32-1/4 x 13 x 23
SLRC4LBT	Cups, lids, straws, 4 high	4, SLR2	Left	8 to 44 oz.	3 to 4-1/2	32-1/4 x 13 x 23
SLRC3RBT	Cups, lids, straws, 3 high	3, SLR2	Right	8 to 44 oz.	3 to 4-1/2	24-1/4 x 13 x 23
SLRC4LBT	Cups, lids, straws, 3 high	3, SLR2	Left	8 to 44 oz.	3 to 4-1/2	24-1/4 x 13 x 23
SLRDL3BT	Cups, dome lids, straws, 3 high	3, SLR2	Left	8 to 44 oz.	3 to 4-1/2	24-1/4 x 13 x 23



Plastic One-Size-Fits-All Cup Dispensing Cabinets



Part #	Description	# and Type Dispensers	Cup Location	Cup Sizes"	Cup Rim Range"	Size" H x W x D
CTCS2BT	Cups only, 2 high	2, ADJ2	Middle	8 to 44 oz.	3 to 4-5/8	16-1/4 x 8 x 23
CTCS3BT	Cups only, 3 high	3, ADJ2	Middle	8 to 44 oz.	3 to 4-5/8	24-1/4 x 8 x 23
CTCS4BT	Cups only, 4 high	4, ADJ2	Middle	8 to 44 oz.	3 to 4-5/8	32-1/4 x 8 x 23
CTCC2BT	Cups, lids, straws, 2 high	2, ADJ2	Left	8 to 44 oz.	3 to 4-5/8	16-1/4 x 13 x 23
CTCC3BT	Cups, lids, straws, 3 high	3, ADJ2	Left	8 to 44 oz.	3 to 4-5/8	24-1/4 x 13 x 23
CTCC4BT	Cups, lids, straws, 4 high	4, ADJ2	Left	8 to 44 oz.	3 to 4-5/8	32-1/4 x 13 x 23
CTCM3BT	Cups, lids, straws, 3 high	3, ADJ2	Middle	8 to 44 oz.	3 to 4-5/8	32-1/4 x 11 x 23
BFLS2BT	Cups only, 2 high	2, BFL2	Middle	8 to 44 oz.	3 to 4-1/2	16-1/4 x 8 x 23
BFLS3BT	Cups only, 3 high	3, BFL2	Middle	8 to 44 oz.	3 to 4-1/2	24-1/4 x 8 x 23
BFLS4BT	Cups only, 4 high	4, BFL2	Middle	8 to 44 oz.	3 to 4-1/2	32-1/4 x 8 x 23
BFLC2BT	Cups, lids, straws, 2 high	2, BFL2	Left	8 to 44 oz.	3-1/8 to 4-1/2	16-1/4 x 13 x 23
BFLC3BT	Cups, lids, straws, 3 high	3, BFL2	Left	8 to 44 oz.	3-1/8 to 4-1/2	24-1/4 x 13 x 23
BFLC4BT	Cups, lids, straws, 4 high	4, BFL2	Left	8 to 44 oz.	3-1/8 to 4-1/2	32-1/4 x 13 x 23
PLCT2BT	2 section dispensing cabinet	N/A	Middle	6 to 44 oz.	2-5/8 to 4-3/4	11 x 5-1/2 x 20-1/4
PLCT3BT	3 section dispensing cabinet	N/A	Middle	6 to 44 oz.	2-5/8 to 4-3/4	16-1/4 x 5-1/2 x 20-1/4
PLCT4BT	4 section dispensing cabinet	N/A	Middle	6 to 44 oz.	2-5/8 to 4-3/4	21-1/4 x 5-1/2 x 20-1/4
PLCT5BT	5 section dispensing cabinet	N/A	Middle	6 to 44 oz.	2-5/8 to 4-3/4	26-3/4 x 5-1/2 x 20-1/4



MISCELLANEOUS



Stainless One-Size-Fits-All Cup Dispensing Cabinets



*Optional "Black Ridge" (black matte), red gloss or black gloss ring bezels are available.



STLR3SS STLC4RSS SLRR4SS SLRC4LSS CTCL2X2SS CTCL3SS CTCC3LSS BFLR4SS BFL2X2SS BFL3SS

Part #	Description	# and Type Dispensers	Cup Location	Cup Sizes"	Cup Rim Range"	Size" H x W x D
STLR3SS	Cups only, 3 high	3, STL2	Middle	8 to 44 oz	3-1/8 to 4-1/2	24-1/4 x 8 x 23
STLR4SS	Cups only, 4 high	4, STL2	Middle	8 to 44 oz	3-1/8 to 4-1/2	32-1/4 x 8 x 23
STLC4RSS	Cups, lids, straws, 4 high	4, STL2	Right	8 to 44 oz	3-1/8 to 4-1/2	32-1/4 x 13 x 23
STLC4LSS	Cups, lids, straws, 4 high	4, STL2	Left	8 to 44 oz	3-1/8 to 4-1/2	32-1/4 x 13 x 23
SLRR3SS	Cups only, 3 high	3, SLR2	Middle	8 to 44 oz	3 to 4-1/2	24-1/4 x 8 x 23
SLRR4SS	Cups only, 4 high	4, SLR2	Middle	8 to 44 oz	3 to 4-1/2	32-1/4 x 8 x 23
SLRC4RSS	Cups, lids, straws, 4 high	4, SLR2	Right	8 to 44 oz	3 to 4-1/2	32-1/2 x 13 x 23
SLRC4LSS	Cups, lids, straws, 4 high	4, SLR2	Left	8 to 44 oz	3 to 4-1/2	32-1/2 x 13 x 23
CTCR2SS*	Cups only, 2 high	2, ADJ2	Middle	8 to 44 oz	3 to 4-5/8	16-1/2 x 8-1/8 x 23
CTCR3SS*	Cups only, 3 high	3, ADJ2	Middle	8 to 44 oz	3 to 4-5/8	24-1/2 x 8-1/8 x 23
CTCR4SS*	Cups only, 4 high	4, ADJ2	Middle	8 to 44 oz	3 to 4-5/8	32-1/2 x 8-1/8 x 23
CTCL2SS*	Cups, lids, misc, 2 high	2, ADJ2	Middle	8 to 44 oz	3 to 4-1/2	22-3/4 x 8-3/8 x 23-1/2
CTCL3SS*	Cups, lids, misc, 3 high	3, ADJ2	Middle	8 to 44 oz	3 to 4-1/2	29-3/8 x 8-3/8 x 23-1/2
CTCL2X2SS*	Cups, lids, misc, 2 wide 2 high	4, ADJ2	Right & left	8 to 44 oz	3 to 4-1/2	22-1/2 x 16-1/2 x 23-3/4
CTCC4RSS	Cups, lids, straws, 4 high	4, ADJ2	Right	8 to 44 oz	3 to 4-5/8	32-1/2 x 13 x 23
CTCC4LSS	Cups, lids, straws, 4 high	4, ADJ2	Left	8 to 44 oz	3 to 4-5/8	32-1/2 x 13 x 23
CTCC3RSS	Cups, lids, straws, 3 high	3, ADJ2	Right	8 to 44 oz	3 to 4-5/8	24-1/2 x 13 x 23
CTCC3LSS	Cups, lids, straws, 3 high	3, ADJ2	Left	8 to 44 oz	3 to 4-5/8	24-1/2 x 13 x 23
BFLR2SS*	Cups only, 2 high	2, BFL2	Middle	8 to 44 oz	3 to 4-1/2	16-1/2 x 8-1/8 x 23
BFLR3SS*	Cups only, 3 high	3, BFL2	Middle	8 to 44 oz	3 to 4-1/2	24-1/2 x 8-1/8 x 23
BFLR4SS*	Cups only, 4 high	4, BFL2	Middle	8 to 44 oz	3 to 4-1/2	32-1/2 x 8-1/8 x 23
BFL2SS*	Cups, lids, misc, 2 high	2, BFL2	Middle	8 to 44 oz	3 to 4-1/2	22-3/4 x 8-3/8 x 23-1/4
BFL3SS*	Cups, lids, misc, 3 high	3, BFL2	Middle	8 to 44 oz	3 to 4-1/2	29-3/8 x 8-3/8 x 23-1/2
BFL2X2SS*	Cups, lids, misc, 2 wide 2 high	4, BFL2	Right & left	8 to 44 oz	3 to 4-1/2	22-1/2 x 16-1/2 x 23-3/4
BFLC4RSS	Cups, lids, straws, 4 high	4, BFL2	Right	8 to 44 oz	3 to 4-1/2	32-1/2 x 13 x 23
BFLC4LSS	Cups, lids, straws, 4 high	4, BFL2	Left	8 to 44 oz	3 to 4-1/2	32-1/2 x 13 x 23
BFLC3RSS	Cups, lids, straws, 3 high	3, BFL2	Right	8 to 44 oz	3 to 4-1/2	24-1/2 x 13 x 23
BFLC3LSS	Cups, lids, straws, 3 high	3, BFL2	Left	8 to 44 oz	3 to 4-1/2	24-1/2 x 13 x 23



Surface or Stand Mounted Cup and Lid Dispensers

Stainless steel ADJ-NW Series pull-type (gravity-fed) adjustable cup dispensers are designed to dispense a variety of 6-44 oz. paper, plastic or foam cups and containers with rim diameters ranging from 2-5/8" to 4-3/4". ADJ-NW Series cup dispensers can be mounted to any vertical surface as well as an ARS or EZ countertop dispensing stands. Dispensers are shipped with two sets of stainless steel mounting brackets and hardware.



ADJNW & ADJNS



ARS4 with dispensers

ADJ-NS Series dispensers are the same as the ADJ-NW Series, however dispensers are spring-loaded rather than gravity-fed.

Stainless steel portion cup and lid dispensers are ideal for condiment and dressing cups. Mount to wall, any flat surface, or countertop stand. Dispensers are shipped with two sets of stainless steel mounting brackets and hardware.



SFLADJ



SFLTLD



TLD22



TLD33

Part #	Description	Cup Rim Diam. Range"	Tube Diameter"	Tube Length"	Paper/Plastic Cup Sizes	Foam Cup Sizes
ADJNW21	Pull cup dispenser, gravity-feed	2-5/8 to 3-3/32	3-5/16	25-1/2	6 to 12 oz.	6 to 8 oz.
ADJNW31	Pull cup dispenser, gravity-feed	2-7/8 to 3-1/2	3-11/16	25-1/2	12 to 22 oz.	8 to 12 oz.
ADJNW81	Pull cup dispenser, gravity-feed	3-1/4 to 3-7/8	4-1/8	25-1/2	14 to 24 oz.	12 to 24 oz.
ADJNW101	Pull cup dispenser, gravity-feed	3-3/4 to 4-5/16	4-5/8	25-1/2	32 oz.	32 oz.
ADJNW151	Pull cup dispenser, gravity-feed	4-1/8 to 4-3/4	4-7/8	25-1/2	44 oz.	32 to 44 oz.
ADJNS21	Pull cup dispenser, spring-loaded	2-5/8 to 3-3/32	3-5/16	25-1/2	6 to 12 oz.	6 to 8 oz.
ADJNS31	Pull cup dispenser, spring-loaded	2-7/8 to 3-1/2	3-11/16	25-1/2	12 to 22 oz.	8 to 12 oz.
ADJNS81	Pull cup dispenser, spring-loaded	3-1/4 to 3-7/8	4-1/8	25-1/2	14 to 24 oz.	12 to 24 oz.
ADJNS101	Pull cup dispenser, spring-loaded	3-3/4 to 4-5/16	4-5/8	25-1/2	32 oz.	32 oz.
ADJNS151	Pull cup dispenser, spring-loaded	4-1/8 to 4-3/4	4-7/8	25-1/2	44 oz.	32 to 44 oz.
SFLADJ	Self-adjusting, pull portion cup dispenser	2-3/8 to 2-7/8	3-5/8	12	2 to 6 oz.	2 to 6 oz.
SFLTLD	Self-adjusting, pull lid dispenser	2 to 3	3-1/8	12	2 to 6 oz. lids	2 to 6 oz. lids
TLD22	Tubular lid dispenser, 2 sections	4-1/8	4-1/4	25-1/2	6 to 24 oz. lids	N/A
TLD33	Tubular lid dispenser, 3 sections	4-3/4	4-7/8	25-1/2	12 to 44 oz lids	N/A

Countertop Cup and Lid Dispensing Stands and Brackets

Dispensers sold separately.

Part #	Description	Size" H x W x D
ARS4	Rotating stand for 4 ADJNW or TLD dispensers	40 x 15 x 15
ARS6	Rotating stand for 6 ADJNW or TLD dispensers	40 x 15 x 15
EZ3EZ	Stationary stand for 3 ADJNW or TLD dispensers	29 x 15 x 15
SFLSTAND1	Stationary stand for 1 SFL portion cup/lid dispenser	15 x 5 x 11-1/4
SFLSTAND2	Stationary stand for 2 SFL portion cup/lid dispensers	15 x 7-1/2 x 11-1/4
WMB3	Wall mount brackets for ADJNW or TLD dispensers	4 x 17-3/8 x 1
MMB3	Machine mount brackets for ADJNW or TLD disp.	21 x 3 x 1



ARS4



SFLSTAND2 with dispensers

SFLSTAND2



EZ3EZ with dispensers

MMB3



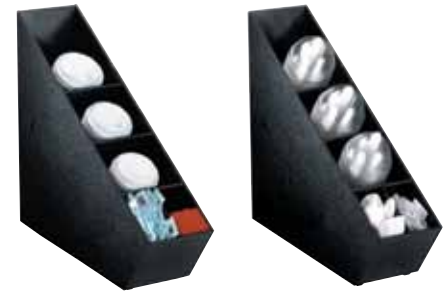
WMB3



Countertop Lid, Straw and Condiment Organizers

Countertop organizers provide ample storage while using minimal counter space.

CTC lid dispensers are for use with 8-44 oz. flat slotted cold drink cup lids. The mounting collar fully supports the dispenser in a horizontal position. ***Note:** Tightly nested or deeply extruded lids may not be compatible. Not intended for coutoured hot cup lids or dome lids. To verify lid compatibility please furnish a full sleeve of lids prior to ordering.



PLCTLID

PLCTDOME

Part #	Description	Size" H x W x D
PLCTLID	Black 5 Section lid and condiment organizer	17-1/2 x 5-1/2 x 19
PLCTDOME	Black 5 Section dome lid and condiment organizer	17-1/2 x 5-1/2 x 19
TLODL3BT	Black 3 section dome lid and straw organizer	24-1/4 x 6-1/2 x 14
TLODL4BT	Black 4 section dome lid and straw organizer	32-1/4 x 6-1/2 x 14
HVCD3BT	Black 3 section condiment organizer	24-1/2 x 6-1/2 x 14
HVCD4BT	Black 4 section condiment organizer	32-1/4 x 6-1/2 x 14
TLO2BT	Black 2 section dome lid and straw organizer	16-1/4 x 6-1/2 x 14
TLO3BT	Black 3 section dome lid and straw organizer	24-1/4 x 6-1/2 x 14
TLO4BT	Black 4 section dome lid and straw organizer	32-1/4 x 6-1/2 x 14
TLO2SS	Stainless 2 section dome lid and straw organizer	16-1/2 x 6-1/2 x 14
TLO3SS	Stainless 3 section dome lid and straw organizer	24-1/2 x 6-1/2 x 14
TLO4SS	Stainless 4 section dome lid and straw organizer	32-1/2 x 6-1/2 x 14
CTLD15	Stainless 3 section adjustable organizer	8 x 15-1/2 x 5
CTLD19	Stainless 4 section adjustable organizer	8 x 19-1/2 x 5
CTLD22	Stainless 5 section adjustable organizer	8 x 22-1/2 x 5
CTLD15A	Stainless 3 section adjustable organizer w SH1	8 x 19-5/8 x 5
CTLD19A	Stainless 4 section adjustable organizer w SH1	8 x 23-5/8 x 5
CTLD22A	Stainless 5 section adjustable organizer w SH1	8 x 26-5/8 x 5
SH1	Stainless, optional square straw holder for CTLD	5 x 4-1/8 x 5
TSD1S	Stainless, surface mounted round straw holder	6 x 3-1/2 diameter
CTCLID1SS*	Stainless, stackable cabinet with LID1SS	8-1/2 x 8-1/8 x 23
CTCLID2SS*	Stainless, stackable cabinet with LID2SS	8-1/2 x 8-1/8 x 23



TLODL3BT



HVCD3BT



TLO3BT



TLO3SS



TSD1S



SH1



CTLD22



CTLD22A



Stackable
CTCLID1SS
CTCLID2SS



Countertop Lid, Straw, Silverware and Condiment Organizers

Organizers are the perfect way to display self-serve items. The NLOCR model includes a removable insulated storage container to maintain safe temperatures for individual creamers. CDC and DSCD creamer and condiment organizers provide cold storage if the optional refreezable ice pack is used.

Part #	Description	Size" H x W x D
NLO1B	Black polystyrene narrow organizer	16-1/2 x 8 x 20-1/2
NLOCR	Black polystyrene organizer, insulated creamer section	16-1/2 x 8 x 20-1/2
WLO1B	Black polystyrene wide organizer	16-1/2 x 15 x 20-1/2
NLS1	Stainless steel narrow organizer	11-3/8 x 8-1/2 x 22-7/8
WLS1	Stainless steel wide organizer	11-3/8 x 16-1/2 x 22-1/4
NLOCTL	Black polystyrene organizer	20 x 13-1/2 x 22-1/2
NLOWWL	Black polystyrene organizer	20-1/4 x 11-1/2 x 21-3/4
MICRO1	Black polystyrene organizer	4-5/8 x 8 x 11-7/8
NLS1BT	Black polystyrene narrow organizer	9-1/2 x 8-1/2 x 23-1/2
WLS1BT	Black polystyrene wide organizer	9-1/2 x 16-1/2 x 23
NSLC1BT	Black polystyrene with napkin organizer	15-3/4 x 8-1/2 x 24-1/2
NLOLDNH	Black polystyrene with napkin organizer	14-1/2 x 8-1/2 x 17
NLOADNH	Black polystyrene with napkin organizer	14-1/2 x 8-1/2 x 17
NLOSWNH	Black polystyrene with silverware & napkin organizer	14-3/4 x 10 x 17
CTSH8BT	Black polystyrene 8 compartment silverware organizer	15-3/4 x 10-1/8 x 18-3/4
CTSH6BT	Black polystyrene 6 compartment silverware organizer	13 x 10-1/8 x 15-3/8
CTCD9BT	Black polystyrene 9 compartment condiment organizer with 1 pint inserts	7-1/2 x 10-1/4 x 18
CDCD1BT	Black polystyrene condiment/creamer organizer	11 x 5 x 12-1/4
SDCD2BT	Black polystyrene stackable condiment/creamer org.	11 x 5-1/2 x 12-1/4
ICE-PACK	Optional refreezable ice pack for CDCD1BT/SDCD2BT	9 x 4-1/4 x 1-1/2
NLOSTK1BT	Black polystyrene stackable org., use with STLSTK1BT	7-1/8 x 8 x 19-1/8
STLSTK1BT	Black polystyrene stackable cup dispensing cabinet	8-1/4 x 8 x 18-1/2
CCTL1	Black polystyrene coffee items organizer	2-1/2 x 10 x 14
VCO3	Black polystyrene 3 section vertical organizer	16 x 5-1/4 x 6-5/8
VCO4	Black polystyrene 4 section vertical organizer	21 x 5-1/4 x 6-5/8
HLCO3BT	Black polystyrene cup, lid, straw & condiment organizer	11-3/4 x 17 x 7-1/2
FDL3	Black polystyrene 3 section flat dome lid dispenser	9 x 5 x 14-1/2
ADL3	Black polystyrene 3 section angled dome lid dispenser	11-3/4 x 5-1/2 x 14-1/2
SLVH1CL	Clear acrylic coffee sleeve dispenser	10 x 6-1/2 x 4-1/2
SLVH1BT	Black polystyrene coffee sleeve dispenser	10 x 6-1/2 x 4-1/2
SLV1OBT	Black polystyrene spring loaded coffee sleeve disp.	10 x 5-3/4 x 3-3/4



**Built-In Lid, Straw and Condiment Organizers
Built-In Stainless Steel Holders and Trash Chute**



Part #	Description	Size" H x W x D	Cut-Out"
FMVL1	Built-in 1 section lid organizer, textured black polystyrene	7 x 7 x 5-1/2	5-3/4 x 5-5/8
FMVL2	Built-in 2 section lid organizer, textured black polystyrene	18 x 7 x 5-1/2	16-3/4 x 5-5/8
FMVL3	Built-in 3 section lid organizer, textured black polystyrene	26 x 7 x 5-1/2	24-5/8 x 5-5/8
FMVL4	Built-in 4 section lid organizer, textured black polystyrene	33-3/4 x 7 x 5-1/2	32-3/8 x 5-5/8
FML2	Built-in 2 section lid organizer, gloss black acrylic	7-1/4 x 11 x 5-3/8	6-1/4 x 10
FML3	Built-in 3 section lid organizer, gloss black acrylic	7-1/4 x 16 x 5-3/8	6-1/4 x 15
FML4	Built-in 4 section lid organizer, gloss black acrylic	7-1/4 x 21 x 5-3/8	6-1/4 x 20
FMVDL3	Built-in 3 section dome lid & straw organizer, textured black polystyrene	26 x 7 x 8	24-5/8 x 5-5/8
FMTS1BT	Built-in 1 section straw organizer, middle grab, textured black polystyrene	6-1/4 x 11-5/8 x 5-1/2	5-1/2 x 10-7/8
FMVS1	Built-in 1 section straw organizer, end grab, textured black polystyrene	6 x 7 x 12-1/4	4-5/8 x 5-5/8
FMS1	Built-in unwrapped single straw dispenser, gloss black acrylic	7-1/4 x 10-1/2 x 5-3/8	6-1/4 x 9-1/2
FMC4	Built-in 4 section condiment organizer, gloss black acrylic	7-1/4 x 11 x 5-3/8	6-1/4 x 10
FMC7	Built-in 7 section condiment organizer, gloss black acrylic	7-1/4 x 16 x 5-3/8	6-1/4 x 15
FMN1BT	Built-in dispenser for 4-1/2" x 5" x 6-1/2" napkins, textured black polystyrene	5-1/4 x 8-1/2 x 5-1/2	5-1/4 x 7-1/2
FMN1	Built-in dispenser for 4-1/2" x 5" x 6-1/2" napkins, gloss black acrylic	6-1/4 x 8-1/2 x 5-1/4	5-1/4 x 7-1/2
FMN2	Built-in dispenser for 3-1/2" x 4" x 6-1/2" napkins, gloss black acrylic	5-1/4 x 8-1/2 x 5-1/4	4-1/2 x 7-1/2
CMND1V	Built-in vertical napkin dispenser, stainless steel	6-1/8 x 8-1/8 x 12-7/8	5-1/4 x 7
CMND1	Built-in horizontal napkin dispenser, stainless steel	6-1/8 x 8-1/8 x 12-7/8	5-1/4 x 7
TSD1C	Built-in round straw holder, end grab, stainless steel	6 x 5-3/8 diameter	4 diameter
TCD1	Drop-in small condiment holder, stainless steel	6 high x 6-3/4 diameter	5-3/8 diameter
TCD2	Drop-in large condiment holder, stainless steel	6 high x 7-5/8 diameter	6-1/4 diameter
TCD2NB	Drop-In round trash chute, stainless steel	6 high x 7-5/8 diameter	6-1/4 diameter



MISCELLANEOUS

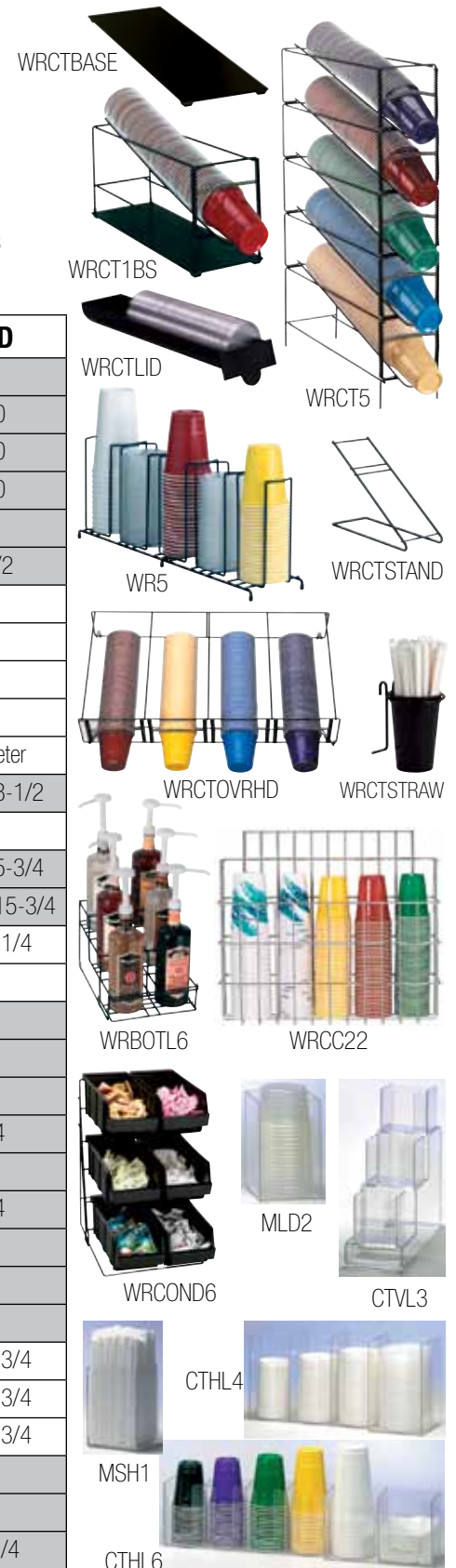


Miscellaneous Wire and Acrylic Dispensers and Organizers

Wire racks have a powder coated black finish. Cup and lid dispensers feature the EZ-Twist adjustment mechanism, and hold 6-44 oz. paper, plastic or foam cups with rim diameters ranging from 2-5/8" to 4-3/4". Wire condiment and bottle organizers can be attached together to create multiple dispensing configurations.

Clear acrylic organizers come in stairstep and horizontal configurations. All CTHL models can be used in a surface mounted or countertop application.

Part #	Description	Size" H x W x D
WRCT1BS	Countertop 1 section vertical cup wire dispensing rack w base	8-1/2 x 6-1/4 x 20
WRCT3	Countertop 3 section vertical cup wire dispensing rack	19-1/4 x 6-1/4 x 20
WRCT4	Countertop 4 section vertical cup wire dispensing rack	24-3/4 x 6-1/4 x 20
WRCT5	Countertop 5 section vertical cup wire dispensing rack	29-3/4 x 6-1/4 x 20
WRCTLID	Countertop 1 section optional lid chute	3-1/4 x 6-1/8 x 20
WRCTBASE	Optional weighted base for wire countertop dispensing rack	1-2 x 6-1/4 x 18-1/2
WR3	Countertop, wire 3 sections: (1) 3-1/2, (1) 4-1/2, (1) 4-3/4	8-1/2 x 14-1/2 x 5
WR4	Countertop, wire 4 sections: (4) 4-1/8	8-1/2 x 18-1/2 x 5
WR5	Countertop, wire 5 sections: (1) 3-1/2, (2) 4-1/2, (2) 4-3/4	8-1/2 x 23 x 5
WRSTAND	Optional angled stand for WR3, WR4 or WR5	11 x 5-3/4 x 15
WRSTRAW	Optional straw holder that hangs on wire rack	4-5/8 x 3-1/8 diameter
WRCTOVRHD	Overhead surface mount wire cup dispensing rack	6-1/8 x 26-1/4 x 18-1/2
WRCC22	Stainless steel surface mounted wire cup caddy	19 x 22 x 5-1/2
WRCOND3	Countertop 3 section wire condiment organizer	18-3/8 x 5-3/4 x 15-3/4
WRCOND6	Countertop 6 section wire condiment organizer	18-3/8 x 11-1/2 x 15-3/4
WRBOTL3	Countertop 3 section wire bottle holder	7-1/2 x 4-1/4 x 13-1/4
WRBOTL6	Countertop 6 section wire bottle holder	7-1/2 x 9 x 13-1/4
MSH1	Countertop clear acrylic 4" modular straw holder	6 x 4 x 4
MLD1	Countertop clear acrylic 4" modular lid holder	8 x 4 x 4
MLD2	Countertop clear acrylic 5" modular lid holder	8 x 5 x 5
CTVL2	Countertop clear acrylic 2 section holder: (1) 4" and (1) 5"	11-1/4 x 6 x 12-1/4
CTVL3	Countertop clear acrylic 3 section holder: (1) 4" and (2) 5"	16 x 6 x 18-1/4
CTVL4	Countertop clear acrylic 4 section holder: (2) 4" and (2) 5"	20-1/2 x 6 x 24-1/4
CTHL3	Countertop clear acrylic 3 section holder: (2) 4" and (1) 5"	8 x 13-1/4 x 5-1/8
CTHL4	Countertop clear acrylic 4 section holder: (3) 4" and (1) 5"	8 x 17-3/8 x 5-1/8
CTHL6	Countertop clear acrylic 4 section holder: (4) 4" and (2) 5"	6 x 26-1/2 x 5-1/8
CTLOWBS	Countertop 1 sided SS dispenser, low fold 4-7/8 x 3-1/2 napkins	5-5/8 x 4-5/8 x 11-3/4
CTMINIBS	Countertop 1 sided SS dispenser, mini fold 3-3/4 x 6-1/2 napkins	4-1/2 x 7-5/8 x 11-3/4
CTBULLBS	Countertop 1 sided SS dispenser, full fold 4-1/2-5 x 6-1/2 napkins	5-5/8 x 7-5/8 x 11-3/4
TTLOWBS	Tabletop 2 sided SS dispenser, low fold 4-7/8 x 3-1/2 napkins	5-5/8 x 4 x 4-3/4
TTMINIBS	Tabletop 2 sided SS dispenser, mini fold 3-3/4 x 6-1/2 napkins	4-1/2 x 7-1/2 x 6
TTFULLBS	Tabletop 2 sided SS dispenser, full fold 4-1/2-5 x 6-1/2 napkins	5-5/8 x 7-1/2 x 6-1/4





Bulk Condiment Dispensers

You can save as much as 30% on your condiment costs! High volume restaurants that use 10 gallons per day in portion packs can save as much as \$2,200 a year by switching to a Wunder-Bar condiment dispenser.

A wide variety of stainless steel dispensers are available for any application, including manually operated counter-top models and powered dispensers that provide product at the push of a button. Mobile carts are available for stadiums, banquets, outdoor use, and much more. Wunder-Bar systems dispense a wide variety of products including ketchup, mustard, mayonnaise, BBQ sauce, salad dressings, cheese, fudge and much, much more.

All Wunder-Bar condiment dispensers are Clean-In-Place, which means there's no need to disassemble anything to clean and sanitize. Simple, cost effective and fast!

Countertop

Stainless steel countertop dispenser Includes hinged lid, removable front panel and black vacuum-formed drip tray. Uses 1 to 3-gallon bags or pouches and requires no installation. Labels sold separately (see picture) Custom graphics are available. One year warranty.

Part Number	Description	Product Bag
WBSCD13SSCT	1-product countertop manual dispenser	3 gallon
WBSCD12TT	1-station, 2-product Tee Tower system	1-3 gallon
WBSCD22TT	2-station, 2-product Tee Tower system	1-3 gallon
WBSCD32TT	3-station, 2-product Tee Tower system	1-3 gallon
WBSCD42TT	4-station, 2-product Tee Tower system	1-3 gallon
WBSCD13TT	1-station, 3-product Tee Tower system	1-3 gallon
WBSCD23TT	2-station, 3-product Tee Tower system	1-3 gallon
WBSCD33TT	3-station, 3-product Tee Tower system	1-3 gallon
WBSCD43TT	4-station, 3-product Tee Tower system	1-3 gallon
WBSCD14TT	1-station, 4-product Tee Tower system	1-3 gallon
WBSCD24TT	2-station, 4-product Tee Tower system	1-3 gallon
WBSCD34TT	3-station, 4-product Tee Tower system	1-3 gallon
WBSCD44TT	4-station, 4-product Tee Tower system	1-3 gallon
WBSCD11GT	1 Gooseneck Tower, 1 product to 1 tower	3-gallon
WBSCD21GT	2 Gooseneck Towers, same product to 2 towers	3-gallon
WBSCD22GT	2 Gooseneck Towers, 2 products to 2 towers	3-gallon
WBSCD42GT	4 Gooseneck Towers, 2 products to 4 towers	3-gallon
WBSCD33GT	3 Gooseneck Towers, 3 products to 3 towers	3-gallon
WBSCD63GT	6 Gooseneck Towers, 3 products to 6 towers	3-gallon
WBSCD44GT	4 Gooseneck Towers, 4 products to 4 towers	3-gallon
WBSCD84GT	8 Gooseneck Towers, 4 products to 8 towers	3-gallon

CO₂ Powered Dispensers

The system installs into existing cabinets and takes up little space. Bag-in-box storage uses 1 to 3-gallon bags or pouches and includes a dispenser for each station, product pump for each condiment flavor, high pressure CO₂ regulator, individual low pressure regulator for each product, sliding product bag holder storage rack to accommodate 3-gallon condiment bags, bag disconnects, clean-in-place sanitizing system and all tees, fittings, seals, clamps, etc. for a complete and operational system. Every system is pre-assembled and wet-checked prior to shipment and includes a one year parts warranty.

The Tee Tower condiment dispensing system offers 2, 3 and 4 button models. The sleek Euro Tower design dispenses up to four different condiments per tower, whereas the Goose Neck dispenses only one product per tower.

When ordering, please specify bag-in-box connector type.



Countertop manual dispenser

Labels

- Ketchup: CTOPBH010K
- Mustard: CTOPBH010MU
- Mayonnaise: CTOPBH010MA
- 3 label set: CTOPBH010
- Custom label: CTOPBH010C



Tee Tower comes with 2, 3 or 4 product buttons



Gooseneck Tower single button dispenser



Easy to load bins. 3 gallon bags = fewer changes = better productivity



Quick disconnect bag connectors make bag changes fast and easy



Bulk Condiment Dispensers

CO₂ powered Mini and Euro Towers dispense up to four condiments from one compact tower. Exclusive passive drawback valve prevents condiment drips between dispenses, and built-in spill containment rim around the base helps keep your serving area clean.

Flex-Hose hand-held condiment dispensers have built-in spill containment rim around the perimeter of base. 34" plastic protective sheath is standard. Hose hanger and mounting hardware included.

Please specify which products will be dispensed when ordering so the appropriate sized tubing will be included (1/4" for ketchup, mustard and sauces; 3/8" for mayonnaise).



Mini Tower

Euro Tower

Condiment Dispenser Accessories

Part Number	Description
MCPRR	Red Sticker-Condiment Product Rack
MCPRY	Yellow Sticker-Condiment Product Rack
MCPRW	White Sticker-Condiment Product Rack
MCPRB	Blue Sticker-Condiment Product Rack
MCPR12D	12" Floor Mount Drawer Slides
MCPR24D	24" Floor Mount Drawer Slides
MCPR26D	26" Floor Mount Drawer Slides
MCPR12WD	12" Wall Mount Drawer Slides (Pair)
MCPR14WD	14" Wall Mount Drawer Slides (Pair)
MCPR24WD	24" Wall Mount Drawer Slides (Pair)
MCPR26WD	26" Wall Mount Drawer Slides (Pair)
MCPR1	Molded Rack Assy-1 Product Complete
MCPR2	Molded Rack Assy-2 Product Complete
MCPR3	Molded Rack Assy-3 Product Complete
MCPR4	Molded Rack Assy-4 Product Complete
CDSA17A	2-gallon clean-in-place sanitizing tank assembly

For specifications or more information please visit <http://www.wunderbar.com/products/food-sauce/condiment>

Part Number	Description	Product Bag
WBCD12MT	1-station, 2-product Mini Tower system	1-3 gallon
WBCD22MT	2-station, 2-product Mini Tower system	1-3 gallon
WBCD32MT	3-station, 2-product Mini Tower system	1-3 gallon
WBCD42MT	4-station, 2-product Mini Tower system	1-3 gallon
WBCD13MT	1-station, 3-product Mini Tower system	1-3 gallon
WBCD23MT	2-station, 3-product Mini Tower system	1-3 gallon
WBCD33MT	3-station, 3-product Mini Tower system	1-3 gallon
WBCD43MT	4-station, 3-product Mini Tower system	1-3 gallon
WBCD14MT	1-station, 4-product Mini Tower system	1-3 gallon
WBCD24MT	2-station, 4-product Mini Tower system	1-3 gallon
WBCD34MT	3-station, 4-product Mini Tower system	1-3 gallon
WBCD44MT	4-station, 4-product Mini Tower system	1-3 gallon
WBCD12ET	1-station, 2-product Euro Tower system	1-3 gallon
WBCD22ET	2-station, 2-product Euro Tower system	1-3 gallon
WBCD32ET	3-station, 2-product Euro Tower system	1-3 gallon
WBCD42ET	4-station, 2-product Euro Tower system	1-3 gallon
WBCD13ET	1-station, 3-product Euro Tower system	1-3 gallon
WBCD23ET	2-station, 3-product Euro Tower system	1-3 gallon
WBCD33ET	3-station, 3-product Euro Tower system	1-3 gallon
WBCD43ET	4-station, 3-product Euro Tower system	1-3 gallon
WBCD14ET	1-station, 4-product Euro Tower system	1-3 gallon
WBCD24ET	2-station, 4-product Euro Tower system	1-3 gallon
WBCD34ET	3-station, 4-product Euro Tower system	1-3 gallon
WBCD44ET	4-station, 4-product Euro Tower system	1-3 gallon
WBCD11	1-station, 1-product Flex-Hose system	1-3 gallon
WBCD12	1-station, 2-product Flex-Hose system	1-3 gallon
WBCD13	1-station, 3-product Flex-Hose system	1-3 gallon
WBCD14	1-station, 4-product Flex-Hose system	1-3 gallon
WBCD21	2-station, 1-product Flex-Hose system	1-3 gallon
WBCD22	2-station, 2-product Flex-Hose system	1-3 gallon
WBCD23	2-station, 3-product Flex-Hose system	1-3 gallon
WBCD24	2-station, 4-product Flex-Hose system	1-3 gallon



Bulk Condiment Dispensers

Remote Countertop

These sleek stainless steel designs offer the same fresh product from an under the counter storage bin without the need for electricity or CO₂ to power them. 3/4 oz. nominal pour size per full pump stroke.

Each tower includes a wall mount type bag holder to accommodate 1 to 3-gallon condiment bags, a bag connector for each product, sanitizing adapter, seals, clamps, etc. for a complete system. Choose from 1, 2, 3 or 4-product dispensers. Towers are available in 10 finishes.

Replace XX in part number with finish code:

- SS=stainless BL=black
- PR=red PB=blue
- PW=white PY=yellow
- PO=orange PP=purple
- PG=green BR=brown

For specifications or more information please visit <http://www.wunderbar.com/products/food-sauce/condiment>



Remote 4 product tower



Remote 3 product tower



Remote 2 product tower



Remote 1 product tower

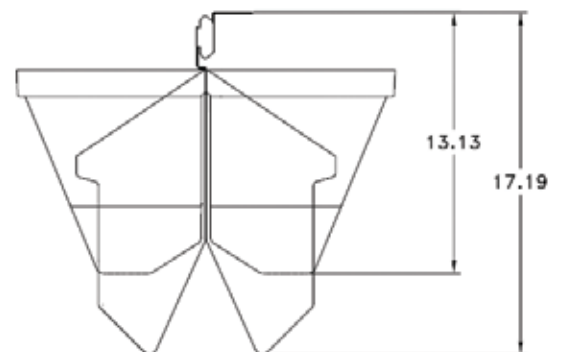
Part Number	Description	Product Bag
CDSA17A	2-gallon clean-in-place sanitizing tank assembly (mandatory with first Remote Tower shipment)	N/A
WBCD13XXRCT	1 Remote Tower, 1 product to 1 tower	3-gallon
WBCD23XXRCT	1 Remote Tower, 2 products to 1 tower	3-gallon
WBCD33XXRCT	1 Remote Tower, 3 products to 1 tower	3-gallon
WBCD43XXRCT	1 Remote Tower, 4 products to 1 tower	3-gallon
WBCD21XXRCT	1 Remote Tower, 2 products to 1 tower	1-gallon
WBCD31XXRCT	1 Remote Tower, 3 products to 1 tower	1-gallon
WBCD41XXRCT	1 Remote Tower, 4 products to 1 tower	1-gallon
URCT1X1SLIDE	Remote system, optional slide rack bracket, one 1-gallon bag holder	1-gallon
URCT1X3SLIDE	Remote system, optional slide rack bracket, one, 3-gallon bag holder,	3-gallon
URCT2X1SLIDE	Remote system, optional slide rack bracket, two, 1-gallon bag holder	1-gallon
URCT2X3SLIDE	Remote system, optional slide rack bracket, two, 3-gallon bag holder	3-gallon
URCT3X1SLIDE	Remote system, optional slide rack bracket, three, 1-gallon bag holder	1-gallon
URCT3X3SLIDE	Remote system, optional slide rack bracket, three, 3-gallon bag holder	3-gallon
URCT4X1SLIDE	Remote system, optional slide rack bracket, four, 1-gallon bag holder	1-gallon
URCT4X3SLIDE	Remote system, optional slide rack bracket, four, 3-gallon bag holder	3-gallon



Easy to load bins.
3 gallon bags = fewer changes = better productivity



Quick disconnect bag connectors make bag changes fast and easy



Two 3-gallon bag holder slide assembly for underside of counter mounting



“Condi-Kart” Bulk Condiment Dispensers

The CO₂ powered Condi-Kart is perfect for large food service establishments such as parks, stadiums, fairs, zoos, banquet facilities, themeparks, racetracks, golf courses, etc. Inside or outside, this cart provides fast and easy access to all types of condiments including ketchup, mustard, mayonnaise, BBQ sauce, vinegar, relish, salsa and much more.

- Large cart: 1-4 products at 3 or 4 separate self-serve towers. Dimensions: 72" long, 34" high and 30" wide
- Small cart: 1-4 products at 1 or 2 separate self-serve towers. Dimensions: 48" long, 34" high and 30" wide

All carts include roll-out holders for 3-gallon bags that make changing the condiment supply quick and easy. They also include a dispenser for each station, product pump for each condiment flavor, high pressure CO₂ regulator, low pressure regulator for each product, bag disconnects, swivel casters (two locking), clean-in-place sanitizing system, and all tees, fittings, seals, clamps, etc. for a complete system. Every cart is pre-assembled and wet-checked prior to shipment from the factory and includes a one year parts warranty.

***Replace “XX” in part number to specify tower style:**

- MT = Mini Tower
- ET = Euro Tower
- TT = Tee Tower
- GT = Gooseneck Tower

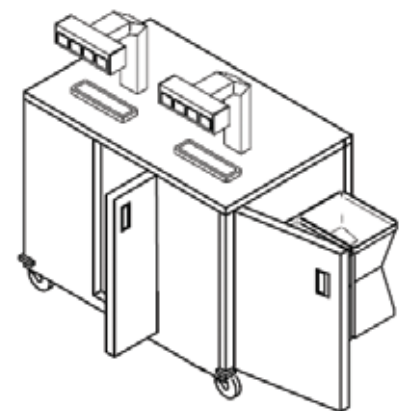


Condi-Kart with two Mini Tower stations



2-station, 4-product Tee Tower, Condi-Kart system

Part Number	Description	Product Bag
WBCDC12XX*	1-station, 2-product Condi-Kart system, 48" long	1-3 gallon
WBCDC22XX*	2-station, 2-product Condi-Kart system, 48" long	1-3 gallon
WBCDC32XX*	3-station, 2-product Condi-Kart system, 48" long	1-3 gallon
WBCDC42XX*	4-station, 2-product Condi-Kart system, 48" long	1-3 gallon
WBCDC13XX*	1-station, 3-product Condi-Kart system, 48" long	1-3 gallon
WBCDC23XX*	2-station, 3-product Condi-Kart system, 48" long	1-3 gallon
WBCDC33XX*	3-station, 3-product Condi-Kart system, 72" long	1-3 gallon
WBCDC43XX*	4-station, 3-product Condi-Kart system, 72" long	1-3 gallon
WBCDC14XX*	1-station, 4-product Condi-Kart system, 48" long	1-3 gallon
WBCDC24XX*	2-station, 4-product Condi-Kart system, 48" long	1-3 gallon
WBCDC34XX*	3-station, 4-product Condi-Kart system, 72" long	1-3 gallon
WBCDC44XX*	4-station, 4-product Condi-Kart system, 72" long	1-3 gallon



2-station, 4-product Tee Tower, Condi-Kart system



Cleaners and Cleaning Equipment

Liquid sugar below 75° F forms sugar crystals. Syrup and juice sugar crystals build up and impair the performance of beverage dispensers, bag-in-box adapters, pumps, circulating coils, valves, mixing chambers and nozzles. Micro-organisms grow in any area exposed to sugar, water and air and can flush into drinks. Over time moving parts with sugar crystal and bacteria build-up fail to work properly and affect the quality of the drink.

Without Cleaning

- Quality suffers, customers are dissatisfied, drinks are often repoured or discarded, profits decrease
- Syrup or juice concentrate can be mistakenly blamed for poor quality and good boxes of syrup or concentrate are returned or discarded
- Dispensing may be stopped depending on the severity of the problem, and service agents may not be able to respond quickly
- Brush cleaning will help but cannot reach all build-up areas
- Brix is sometimes recalibrated to compensate for the poor performance, creating a temporary fix

With Regular Cleaning

- Consistent quality drinks are poured and customers are satisfied, profits increase
- Sugar crystals and bacteria are removed from the entire system, including areas brush cleaning can't reach
- Flow controls and metering stems operate at optimum performance
- BevClean's inhibitor prevents growth and deposits for 60-90 days after cleaning
- Cleaning time is scheduled during off hours
- Service calls are reduced; replacement parts and labor costs decrease

U.S. Dept. of Health and Human Services, Public Health Service, FDA 2001 Food Code Cleaning Requirement, updated April 2004:

4-701.10 Sanitization of Equipment and Utensils:

"Equipment food-contact surfaces and utensils shall be sanitized."

4-601.11(C) Cleaning of Equipment and Utensils:

"Non-food contact surfaces of equipment shall be kept free of an accumulation of dust, dirt, food residue, and other debris."

4-602.11 (E-4) Cleaning Frequency:

"In equipment such as ice bins and beverage dispensing nozzles and enclosed components of equipment such as ice makers ... beverage and syrup dispensing lines or tubes ... and water vending equipment:

- (a) At a frequency specified by the manufacturer, or
- (b) Absent manufacturer specifications, at a frequency necessary to preclude accumulation of soil or mold."

BevClean™ No Rinse Bag-in-Box Beverage System Cleaner



Cleans everything from the rack to the dispensing point, one line at a time, or up to 8 lines at a time with the BevClean manifold.



BevClean manifold assembled

No More buckets, mixing, waiting for powders to dissolve in the correct temperature of water, waiting for the cleaner to work and then flushing, which can take up to 1 hour per line.

Simply hook the bag connector to the BevClean BIB box, open the dispensing valve until clear BevClean is detected, re-attach the syrup BIB and dispense until the line is full of syrup again. With the manifold assembly you can clean up to 8 lines simultaneously in 15-20 minutes!

BevClean works on contact, is completely safe, leaves no residuals, and inhibits growth and deposits for 60-90 days after cleaning.

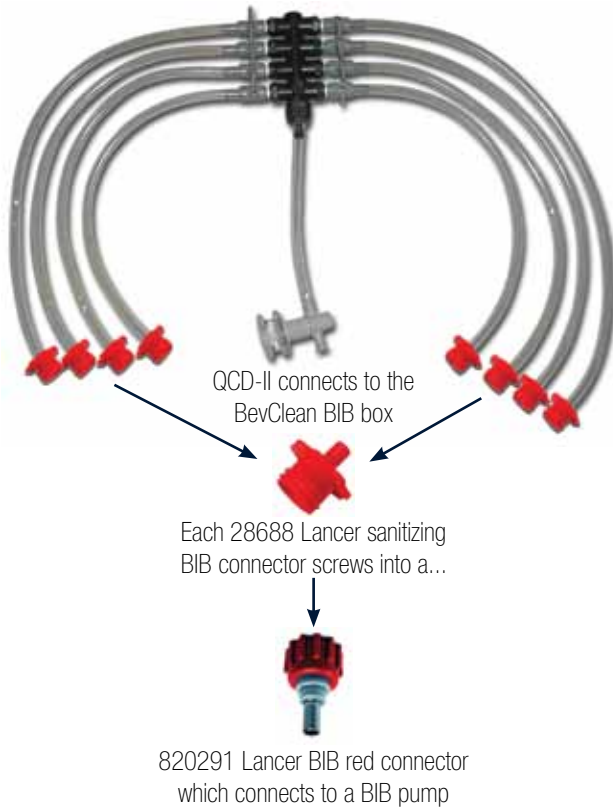
Before and After Cleaning





Cleaners and Cleaning Equipment

Assembled BevClean Manifold with CC Adapters



Assembled BevClean Manifold with GB Adapters



There are multiple GB connection options. Please specify which adapters and connectors you need.



Each 33235 Encore fitment valve connects to a...



33230 Encore connector which connects to a BIB pump

OR



Each 33019 Liqui-Box flush adapter connects to one of these...



QCD-II, PCS or PCSS BIB connector which connects to a BIB pump

Part #	Description
216578	BevClean BIB cleaner, 3 gallon box
219000	BevClean BIB cleaner, 55 gallon drum
216701	WinterBev solution, 5 gallons
LCMC-CC	Sanitizing manifold kit with CC adapters
LCM8-LIQUIBOX	Sanitizing manifold kit with GB adapters, please specify which adapters: QCD-II, PCS, PCSS or Encore
146529	BevClean manifold only
33019	Liqui-Box flush adapter
33020	Liqui-Box QCD-II connector
050501501A	Raypak PCS connector - new style
050900901A	Raypak PCSS connector - old style
33230	Encore connector
33235	Encore fitment valve
28688	Lancer sanitizing BIB adapter
820291	Lancer BIB red connector, 3/8"
17.0706R	Oetiker stepless clamp, SS
2000610x100	Tubing, clear BIB PVC, 3/8" x 5/8", 100'

Each CC and GB kit contains a BevClean manifold, 1 QCD-II connector, 8 sanitizing/flush adapters, 8 BIB connectors, 18 Oetiker stepless clamps and 50' of clear PVC BIB tubing to create a manifold assembly as shown above.



WinterBev is a beverage system antifreeze (propylene glycol base) packaged in 5 gallon BIB boxes, ideal for seasonal equipment, or equipment in cold storage. Protects to -11° F. Available in stronger concentrate for extreme low temperatures.



MISCELLANEOUS

Cleaners and Cleaning Equipment



1842: 1 quart cleaning kit includes 1841 cleaner, 905W 3/4" faucet brush, 904A 3/16" ID hose brush, 4350 faucet coupling nut, spanner wrench, BLC cleaning solution, Draft Beer booklet, ball lifter, and FT584 pump

1844: 2 quart cleaning kit has the same contents as 1842.



8005913289



C157



C360



905W



C237



C148



C169



C170



C248



902



4352



4353



C156



FT85117



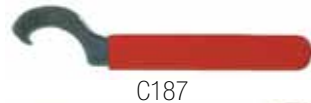
FT108



FT110AB



FT874C



C187



FT109S



FT116 & FT8612



FT101L



FT938



C123

Part #	Description
1842	1 qt. cleaning kit with FT584 pump
1844	2 qt. cleaning kit with FT584 pump
8005913289	Electric pump, beer cleaning system
C157	Faucet cleaning jumper hose assembly, 2.5' long
1032	Nozzle brush
220017	Brush, valve nozzle
904A	Hose brush, 3/16" x 66" long
904B	Hose brush, 1/4" x 66" long
904C	Hose brush, 3/8" x 66" long
905W	Faucet brush, nylon, 3/4" x 3" x 8-1/2" long
C237	Faucet and shank brush, double sided
C360	Glass rinser assembly for drip tray
C148	Jet Carboy bottle washer
C169	Carboy handle, 5 gallon
C170	Carboy handle, 6.5 gallon
C248	Faucet adapter for Jet Carboy washer
902	Duplex cleaning coupler
4352	Cleaning attachment, nickel plated, use with #901 or #901R slip coupling
4352T	Same as 4352 but with male beer thread on spout
4353	Cleaning attachment, 5/16" barb
C156	Faucet and shank cleaning attachment
FT115BA	Series cleaning adapter
FT85117	Keg coupler check ball lifter
FT108	Single flusher for single hole keg valve taps
FT110AB	Double flusher for single hole keg valve taps
FT109S	Double flusher adaptor. Beer thread ends permit 2 single flushers to be coupled to form a double flusher
FT874C	Cap and washer, used on male beer thread end of a single flusher to convert to series tap cleaning
FT101L	Probe lubricant, tasteless and odorless, 1 oz. tin, use sparingly after cleaning
FT938	Probe lubricant, tasteless and odorless, 8 oz. tin
FT8612	Wrench, probe and beer hex nut
FT116	Wrench for Taprite and Perlick probes
C123	Wrench, faucet
C187	Wrench, faucet



MISCELLANEOUS

Cleaners and Cleaning Equipment

Beer line cleaner is sold in case quantities, 12 bottles per case. Price breaks for 2-5 cases, 6-20 cases, and 21 or more cases.

Hazardous material shipping charges apply when shipping UPS, FedEx, or LTL.



1055389

107035
24041

19065312

39617

39617
39618

Part #	Description
1055389	ScaleKleen deliming cleaner, 7 oz., 24 packs/case
107035	Kay-5 sanitizer, 10 lbs., 160 packets
24041	Kay-5 sanitizer, 8 packets, each 1 oz.
19065312	Clear 1 ice machine scale remover, 16 oz.
428734	Ice machine cleaner, 16 oz.
39617	Draftec beer line cleaner, clear, 32 oz., case of 12
39620	Draftec beer line cleaner, clear, 50 gal. drum
39619	Draftec beer line cleaner, blue, 32 oz., case of 12
39622	Draftec beer line cleaner, blue, 50 gal. drum
39618	Draftec beer line cleaner, acid, 32 oz., case of 12
39621	Draftec beer line cleaner, acid, 50 gal. drum



39620
39621
39622

Tank Disconnects and Plugs

Part Number	Application	Description
21110227	CC	Gas socket, 1/4" barb, long
21110229	CC	Liquid socket, 1/4" barb, long
21117027	CC	Gas socket, 1/4" flare, long
21117029	CC	Liquid socket, 1/4" flare, long
21120257	CC	Gas socket, 1/4" barb, short
21120259	CC	Liquid socket, 1/4" barb, short
21127057	CC	Gas socket, 1/4" flare, short
21127059	CC	Liquid socket, 1/4" flare, short
27110077	GB	Gas socket, 1/4" flare, gray
27110099	GB	Liquid socket, 1/4" flare, gray
27110277	GB	Gas socket, 1/4" barb, gray
27110299	GB	Liquid socket, 1/4" barb, black
27110399	GB	Liquid socket, 3/8" barb, black
2KG720	GB	Tank Plug, gas, 1/4" FFL
2KL720	GB	Tank Plug, liquid, 1/4" FFL
2KGF15	GB	Tank Plug, gas, SS, 1/4" MPT
2KLF15	GB	Tank Plug, liquid, SS, 1/4" MPT
2KGCC	CC	Tank Plug, gas
2KLCC	CC	Tank Plug, liquid



21110227

21117027

2KGF15

2KLF15

27110077

27110099

27110277

27110299



MISCELLANEOUS

STOW 'N GO™ Tool Boxes

Durable Stow 'N Go™ Organizers are ideal for tools and small parts. Individual locking trays are partitioned for organization, and slide out for easy access.

135430 and 136430 Pro Racks

- Includes four ProLatch™ StowAway® organizers
- Bulk tool storage under the lid
- Graphite gray with sandstone accents

523201

- Removable dividers allow for 16-50 adjustable compartments
- 2-Sided convenience
- Bulk storage on both sides
- Lockjaw™ latches
- Porsche red w clear lids

523101

- Removable dividers allow for 15-52 adjustable compartments
- Double cover offers additional storage
- Large bulk storage area
- Lockjaw™ latches
- Porsche red w clear top

523002

- Removable dividers allow for 8-25 adjustable compartments
- Large bulk storage area
- Lockjaw™ latches
- Porsche red w clear lid

532430

- 24 Fixed Compartments
- Portable Organizer
- Clear



135430 Pro Rack



136430 Pro Rack



523201



523101



523002



532430

Part #	Description	Size"
135430	Stow 'N Go Pro Rack, graphite	11 x 7.25 x 10
136430	Stow 'N Go Pro Rack, graphite	13.375 x 10 x 14
523201	Stow 'N Go 2-Sided, red	14.5 x 4.63 x 11.75
523101	Stow 'N Go 1-Sided, red	14.5 x 3.38 x 11.75
523002	Stow 'N Go 1-Sided, red	14.5 x 2.38 x 11.75
523002	Stow 'N Go 1-Sided, clear	14.25 x 2.25 x 11.5



MISCELLANEOUS

Brix Tools

Having the proper ratio of syrup and carbonated water makes a big difference in the flavor of soft drinks. Over time dispensing valves can get out of adjustment. Measuring the brix is an important step in the process of ensuring the right amount of sweetness in soft drinks to keep customers coming back for more.

The quality assurance kit can be modified to your specifications. Multiples of any component can be added for an additional charge.

Part Number	Application	Description
161054	McCann's	Quality assurance kit
050090	Lancer	Brix cup, universal, graduated marks
050085	Lancer	Brix cup, 4.4:1
050088	Lancer	Brix cup, 5.4:1
999012	McCann's	Brix cup, 5:1 and 5.5:1, 8 oz.
999430	McCann's	Brix cup, 4.4:1 and 5.4:1
999450	McCann's	Brix cup, 4.5:1 and 5.5:1, 8 oz.
999475	McCann's	Brix cup, 4.75:1 and 5.5:1, 8 oz.
540031/02SP	Lancer	Syrup separator, yellow, 2 prong for LEV 3.0
540201/02SP	Lancer	Syrup separator, black, 3 prong for LEV 4.5
822014/02	Lancer	Syrup separator, Lancer 145, 4.5 valve
823457	Lancer	Syrup separator, Lancer FS
PH1083	Wunder-Bar	Syrup separator, all Wunder-Bar valves
1090	Flomatic	Syrup separator, Flomatic syrup valves
1091	Flomatic	Syrup separator, Flomatic juice valves
108900	Flomatic	Syrup separator, Flomatic "S" bypass tube
108902	Flomatic	Syrup separator, Flomatic "S" tube seal
1010859	Cornelius	Syrup separator, Cornelius "S" bypass
101062	Dole	Syrup separator, Dole fast flow valve
2701	Pepsi	Pepsi carbonation tester, complete assembly*
540007/01	Lancer	Lancer carbonation tester, complete assembly*
RHB32	All	Refractometer, 0-32% sugar/brix
220018/01	Lancer	Screwdriver, long
220086	Lancer	Nozzle wrench, LEV 3.0
521950	Lancer	Extractor tool assembly

* Carbonation tester parts can be found in the Water Systems section with carbonator parts and accessories.

See Installation Products for beverage line cleaners and equipment.





MISCELLANEOUS

Tubing Tools

Part Number	Description
29	Vice grip pinch-off tool
95101	Bundle tubing slicer
95401	Bundle tubing cutter
95603	Replacement blade for bundle cutter
95901	Accu-cutter
95903	Replacement blade for Accu-cutter
95801	Hose cutter
452304006	Hose cutter
PI251612S	Tube/hose splitter
C200	SS tube ID sizing rod: 3/16, 1/4, 5/16, 3/8"
9530100000	Jumbo bundle cutter, cuts 2.5" diameter bundles
C100	Economy pincers
14100082	Oetiker pincers
14100083	Oetiker side-jaw pincers



14100083



14100082



29



953-01000-00



C200 tube sizing rod



Lubricant



Part Number	Description
HLFT	4oz food grade lubricant
FT101L	1oz can lubricant

Amana, Convection Express and Steamer Express are a trademarks of Whirlpool Corporation, Benton Harbor, Michigan.

Dispense-Rite is a registered trademark of Diversified Metal Products, Inc., Northbrook, Illinois.

Wunder-Bar and Condi-Kart are a trademarks of Automatic Bar Controls, Inc., Vacaville, California.

BevClean is a registered trademark of Very Fresh Juice Company, Dayton, Ohio.

Stow 'N Go, ProLatch, StowAway and Lockjaw are trademarks of Plano Molding Company, Plano, Illinois.